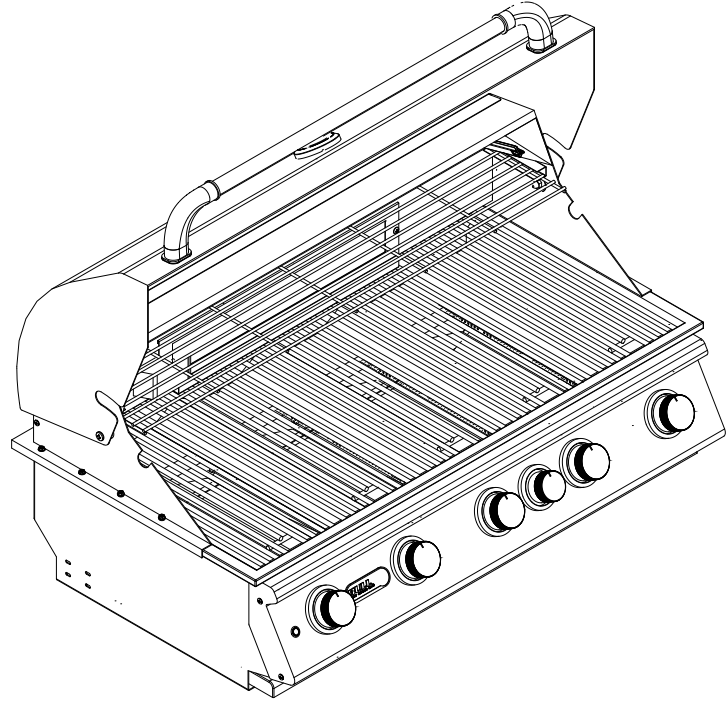




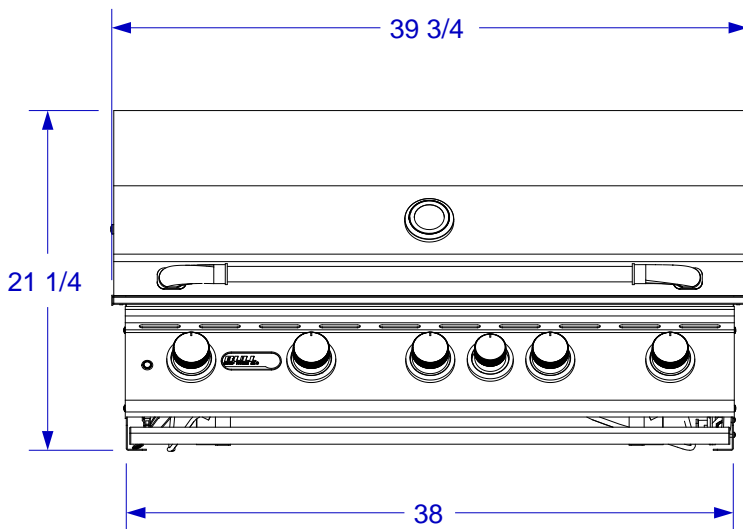
BRAHMA GRILL

SPEC SHEET

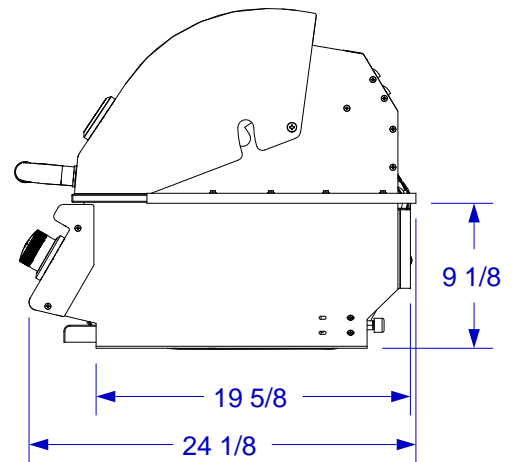
*ISLAND MUST BE CONSTRUCTED WITH NON-COMBUSTIBLE MATERIALS; REFER TO GRILL OWNERS MANUAL



ISOMETRIC VIEW



FRONT VIEW



RIGHT SIDE VIEW

NOTES:

1. CUTOUT DIMENSIONS: 38 1/2"W X 21"D X 9 1/2"H
2. SCALE: 1" = 1'-0"
3. REVISION: 10/2014