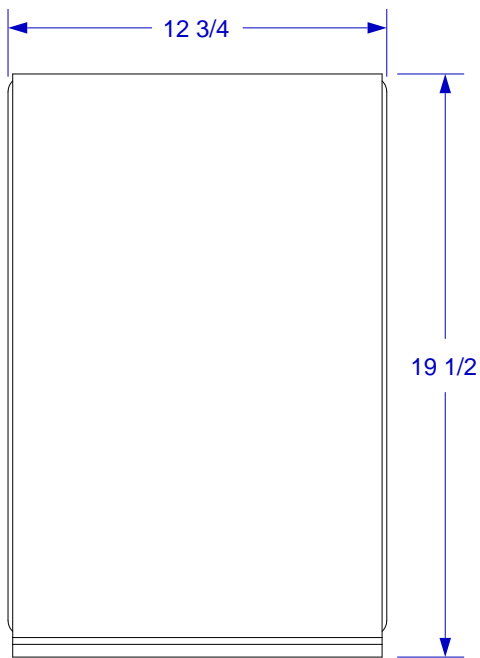


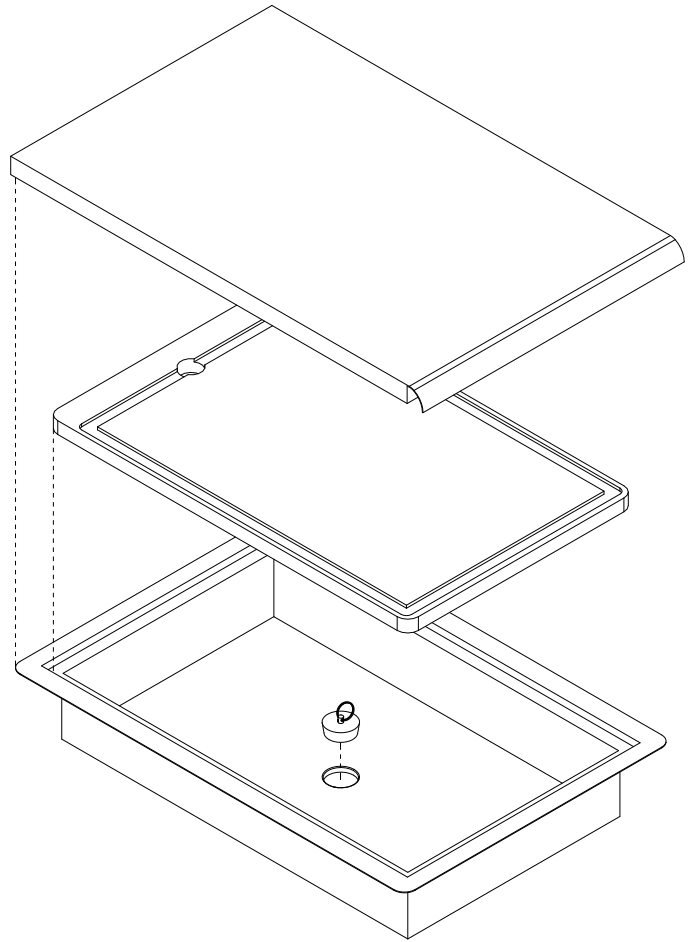


CHOPPING BLOCK

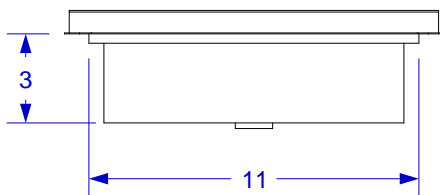
SPEC SHEET



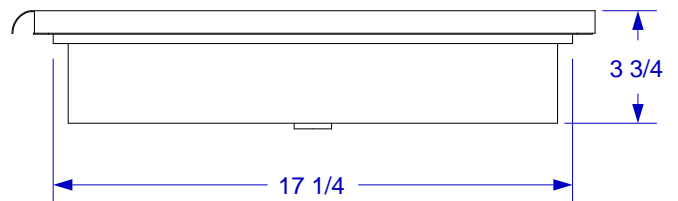
TOP VIEW



ISOMETRIC VIEW



FRONT VIEW



RIGHT SIDE VIEW

NOTES:

1. CUTOUT DIMENSIONS: 11 1/4"W X 17 1/2"D X 3 1/4"H

2. SCALE: 1 7/8" = 1'-0"

3. REVISION: 10/2014