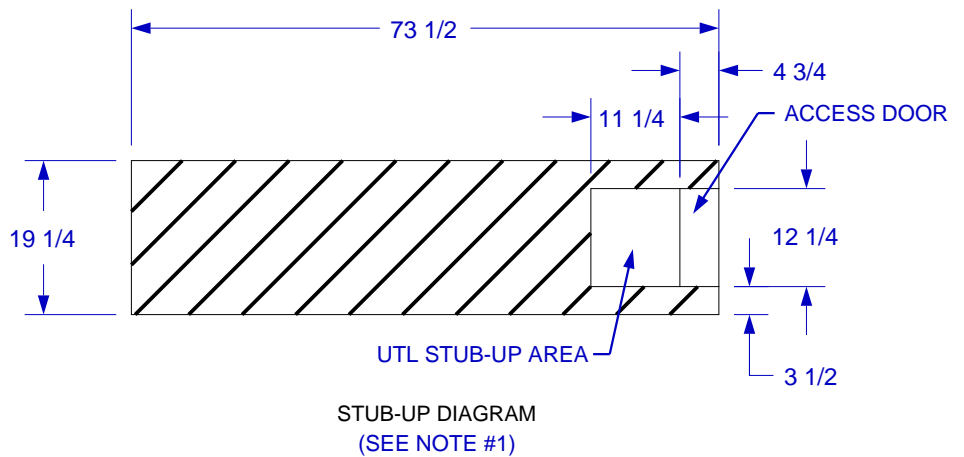
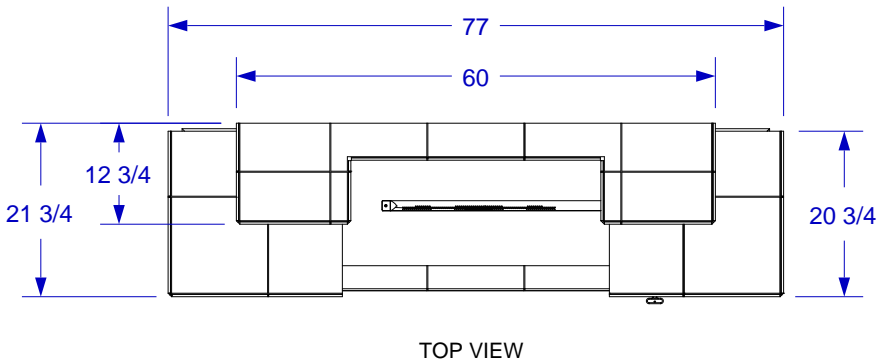
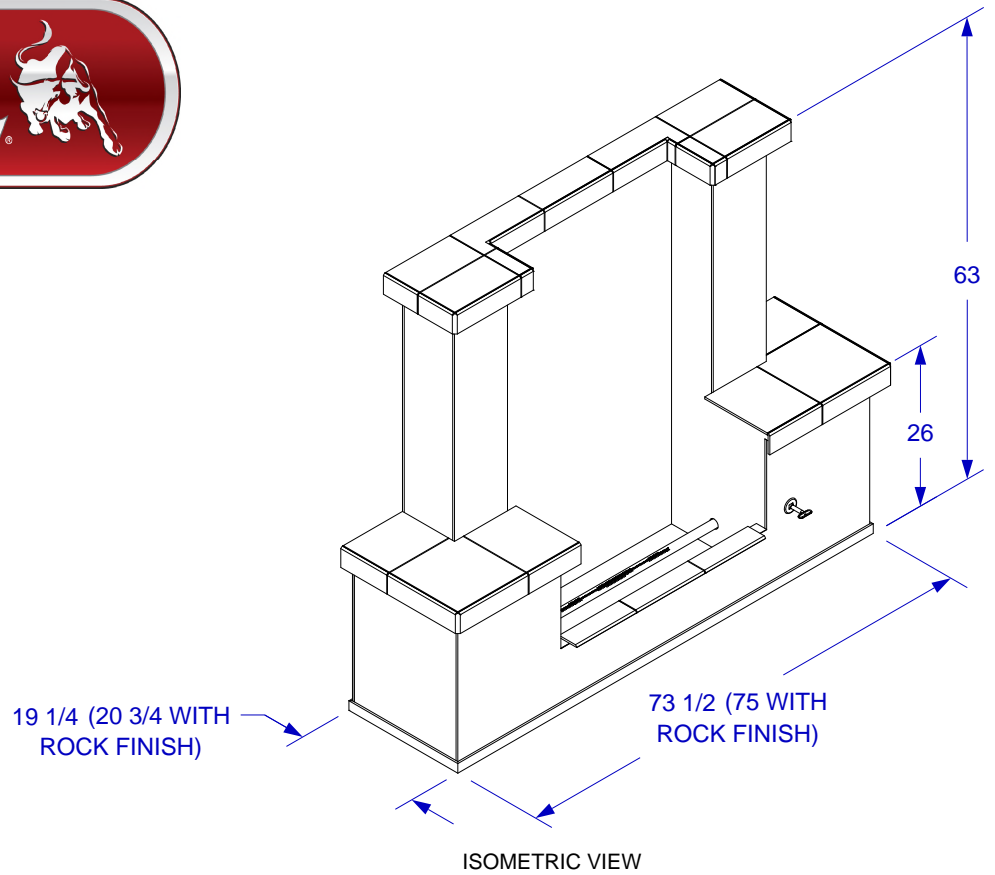




# FIRE WALL SPEC SHEET



- NOTES:**
1. 6" MAX HEIGHT ON ALL STUB-UPS.
  2. SCALE: 1/2" = 1'-0"
  3. REVISION: 10/2009