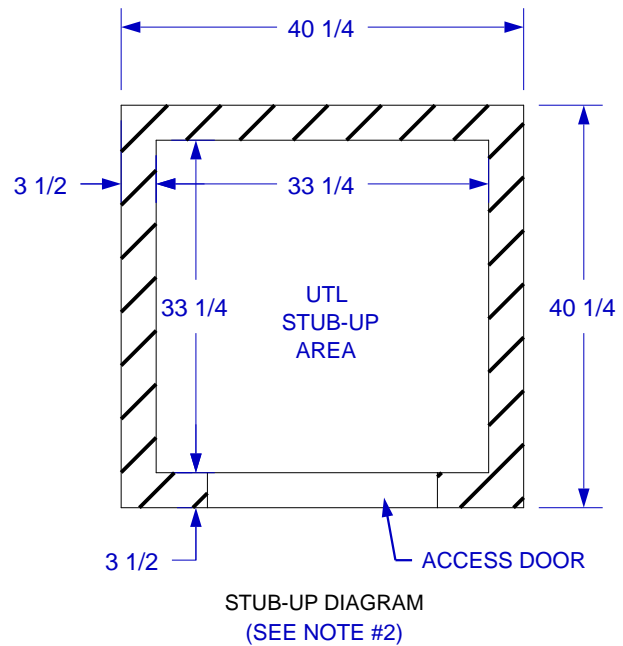
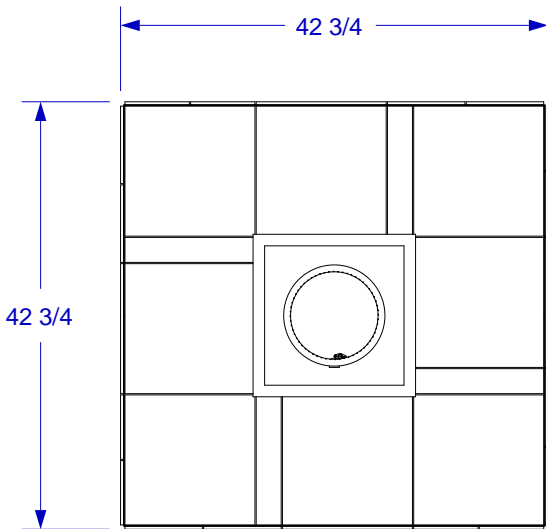
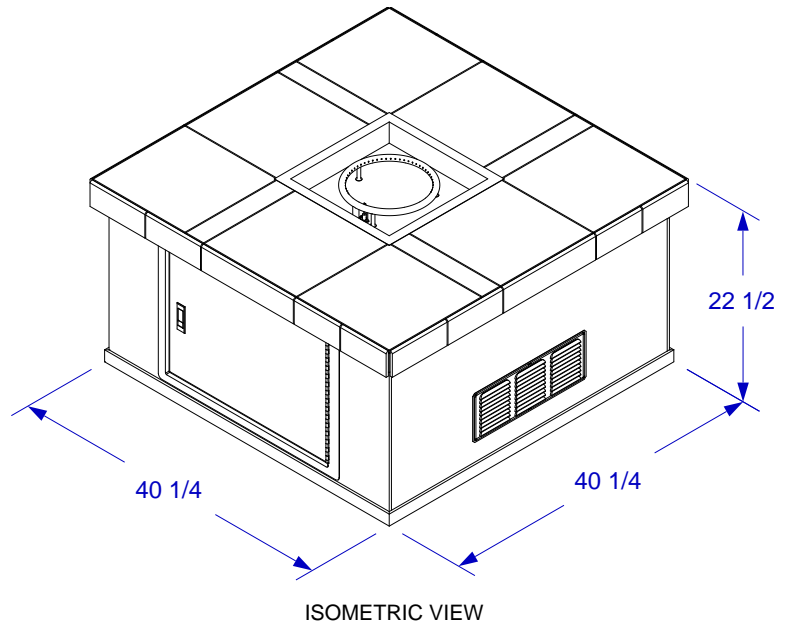




# SQUARE FIRE PIT SPEC SHEET



**NOTES:**

1. FOR ROCK FINISHES, ADD 1 1/2" ON ALL BASE SIDES.
2. 6" MAX HEIGHT ON ALL STUB-UPS.
3. SCALE: 5/8" = 1'-0"
4. REVISION: 04/2012