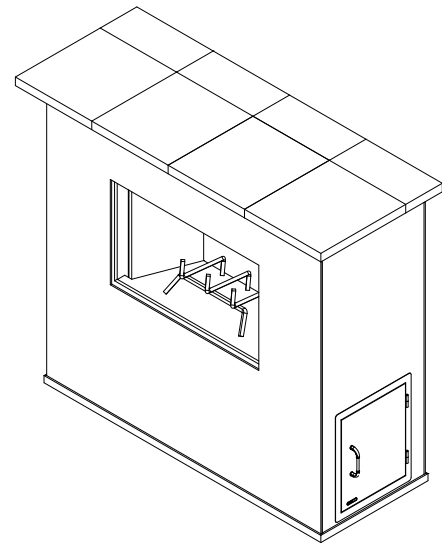
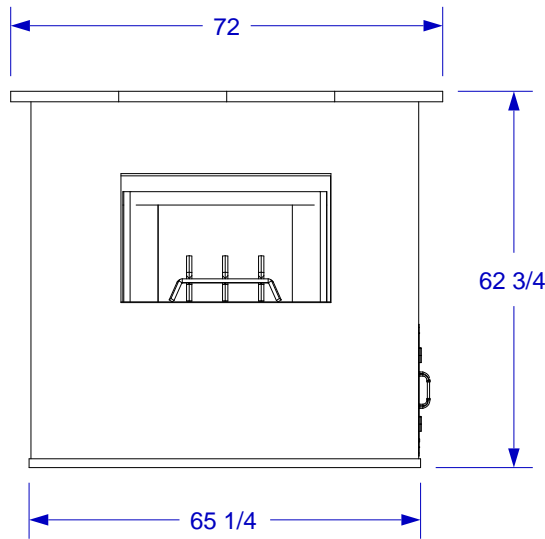




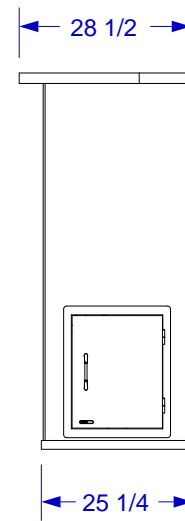
VENTLESS LOW PROFILE FIREPLACE SPEC SHEET



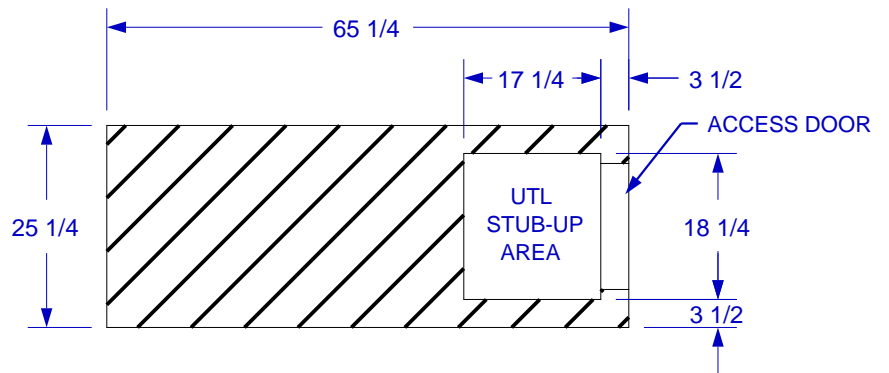
ISOMETRIC VIEW



FRONT VIEW



RIGHT SIDE VIEW



STUB-UP DIAGRAM
SCALE 1/2" = 1' 0"
(SEE NOTE #2)

NOTES:

1. FOR ROCK FINISHES, ADD 1 1/2" ON ALL BASE SIDES.
2. 6" MAX HEIGHT ON ALL STUB-UPS.
3. SCALE: 3/8" = 1'-0"
4. REVISION: 04/2012