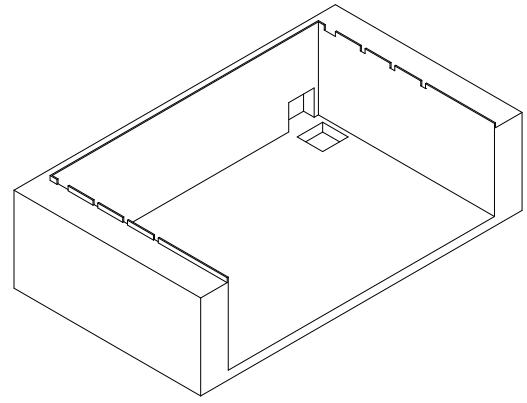
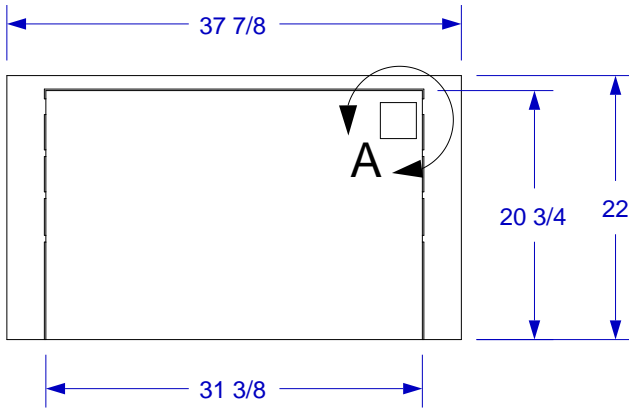




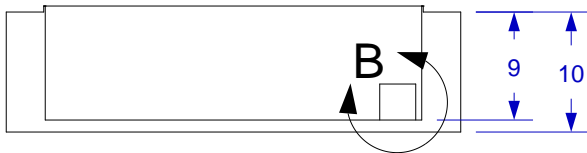
31" GRILL INSULATION JACKET SPEC SHEET



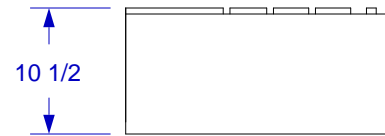
ISOMETRIC VIEW



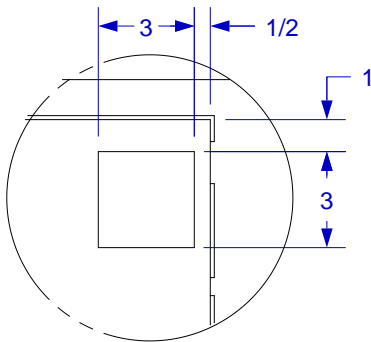
TOP VIEW



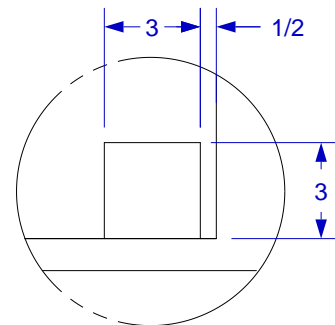
FRONT VIEW



RIGHT SIDE VIEW



Detail A
SCALE 2" = 1' 0"



Detail B
SCALE 2" = 1' 0"

NOTES:

1. CUTOUT DIMENSIONS: 38 1/4" W X 22 1/8" D X 9" H
2. 9" CUTOUT DIMENSION HEIGHT IS FROM THE TOP OF THE TILE TO THE BOTTOM OF THE CUTOUT. BUILDING MATERIALS MAY VARY IN THICKNESS; ADJUST CUTOUT DIMENSION ACCORDINGLY.
3. SCALE: 3/4" = 1'-0"
4. REVISION: 10/2014