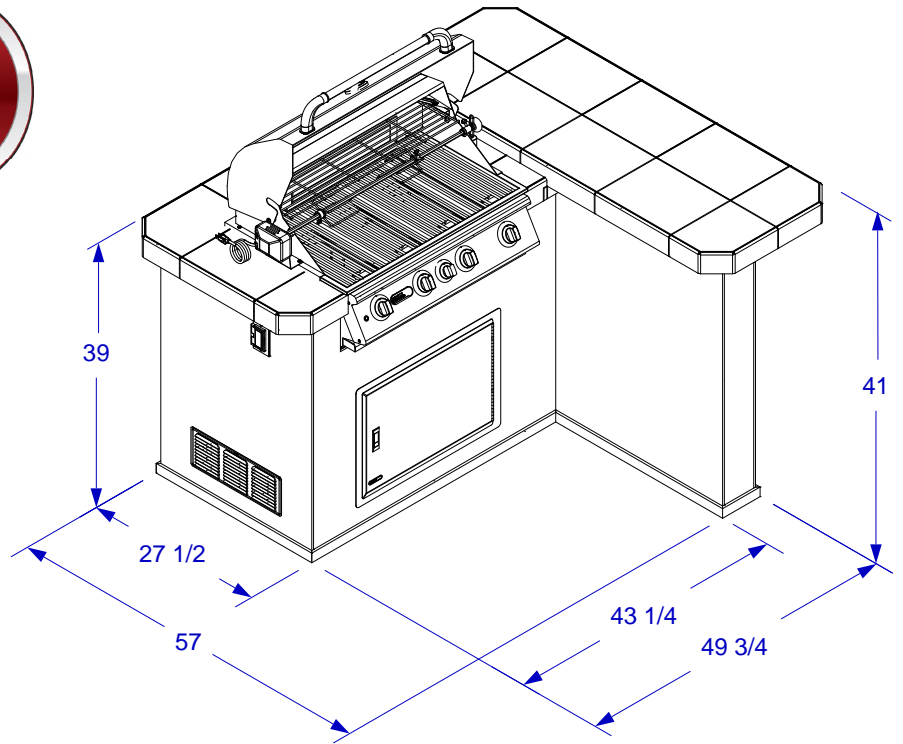
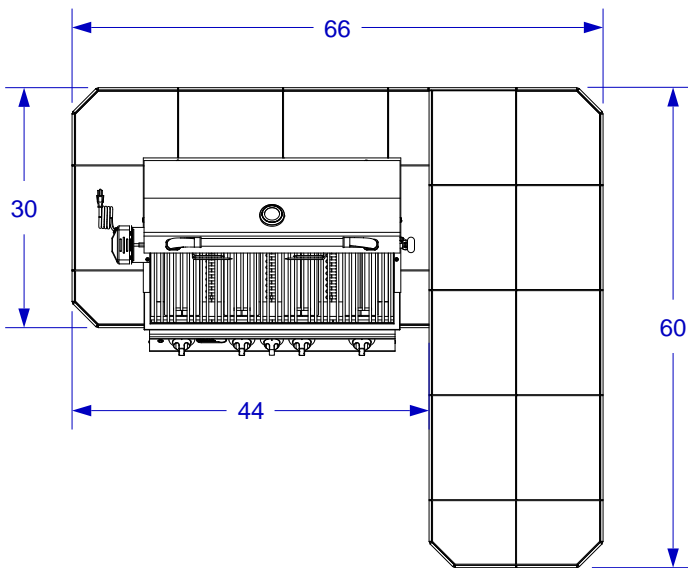




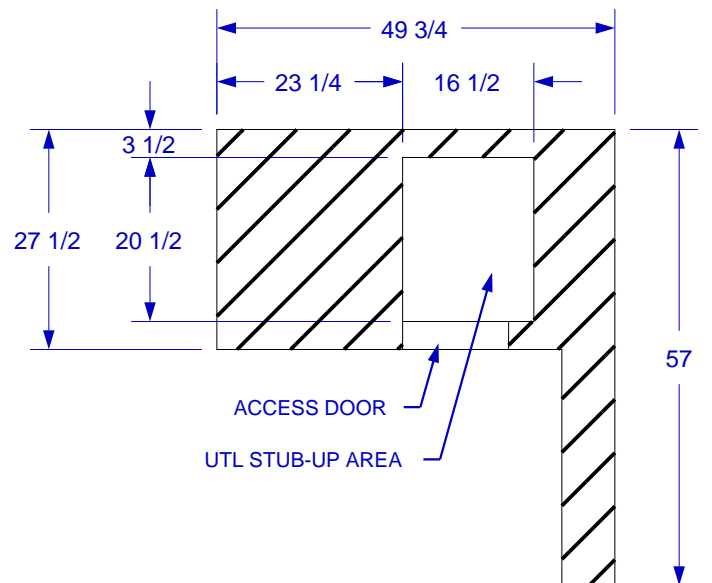
# PATIO Q ISLAND SPEC SHEET



ISOMETRIC VIEW



TOP VIEW



STUB-UP DIAGRAM  
(SEE NOTE #1)

- NOTES:**
1. 6" MAX HEIGHT ON ALL STUB-UPS.
  2. SHOWN WITH STANDARD 4-BURNER ANGUS GRILL.
  3. SCALE: 1/2" = 1'-0"
  4. REVISION: 12/2014