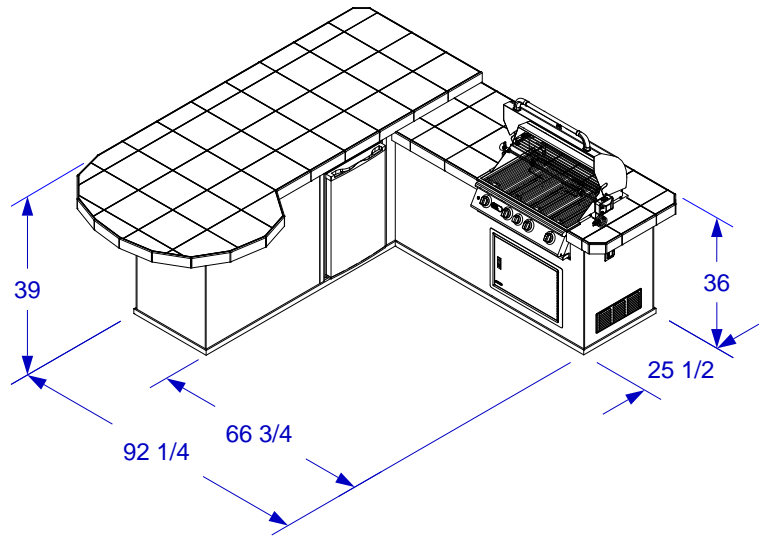
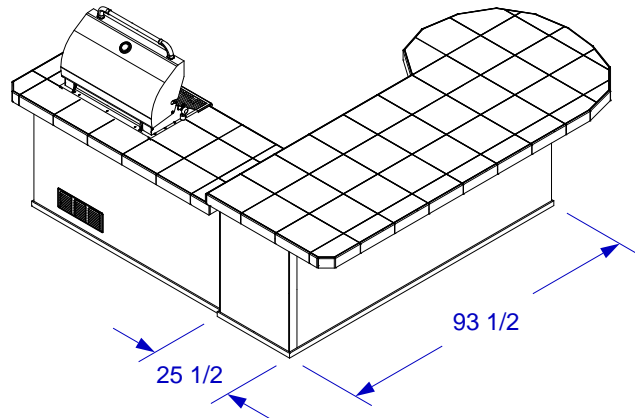




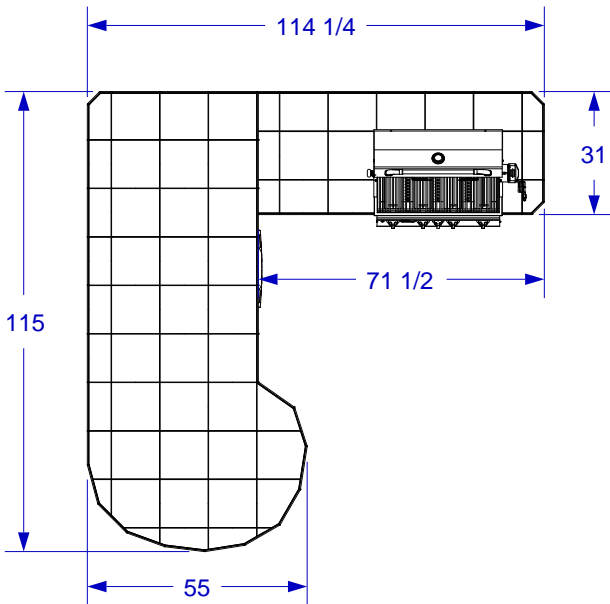
REVERSED SUPREME Q ISLAND SPEC SHEET



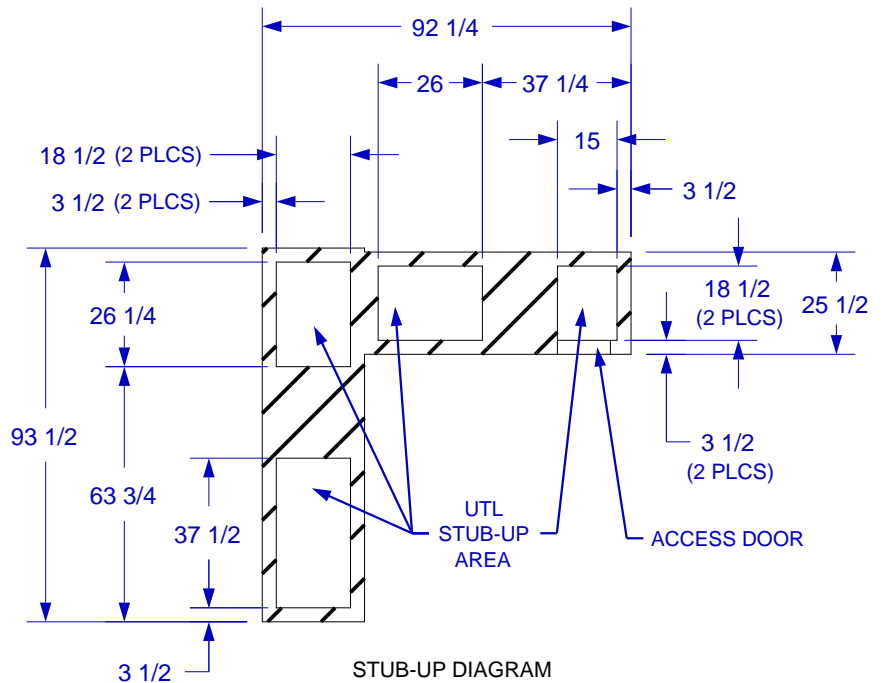
FRONT ISOMETRIC VIEW



BACK ISOMETRIC VIEW



TOP VIEW



STUB-UP DIAGRAM
(SEE NOTE #1)

- NOTES:**
1. 6" MAX HEIGHT ON ALL STUB-UPS.
 2. SHOWN WITH STANDARD 4-BURNER ANGUS GRILL
 3. SCALE: 1/4" = 1'-0"
 4. REVISION: 01/2015