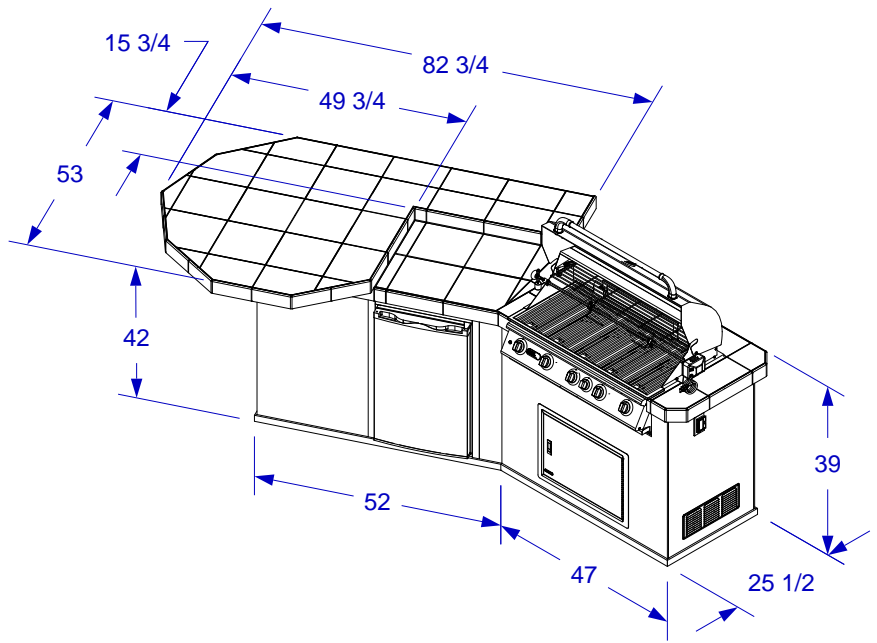
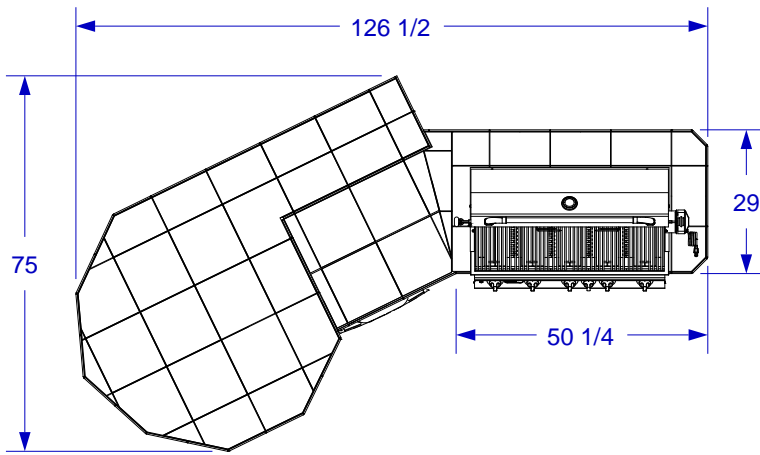




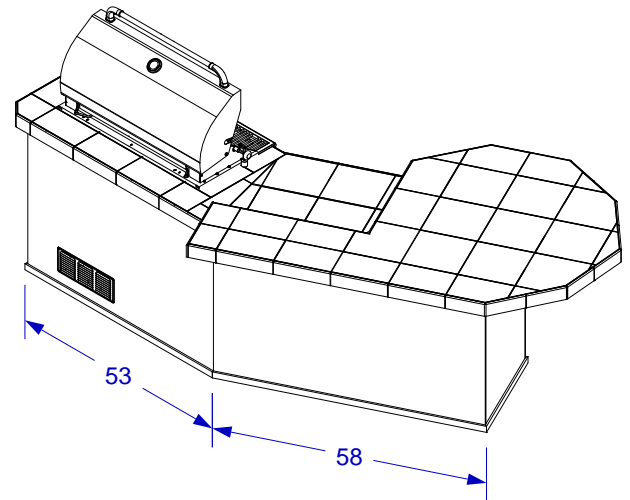
REVERSED WESTERN Q ISLAND W/ BRAHMA GRILL SPEC SHEET



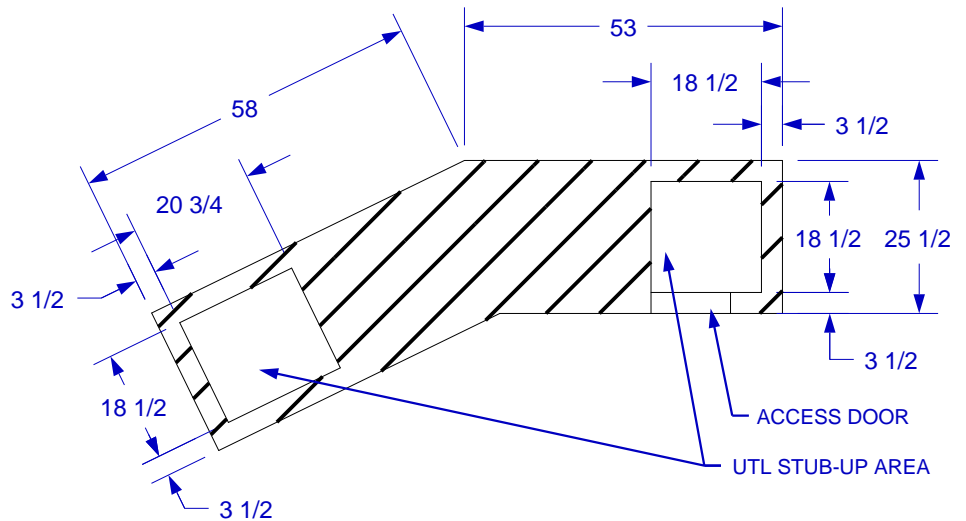
ISOMETRIC VIEW



TOP VIEW



BACK ISOMETRIC VIEW



STUB-UP DIAGRAM

SCALE 3/8" = 1' 0"
(SEE NOTE #2)

- NOTES:**
1. FOR ROCK FINISHES, ADD 1 1/2" ON ALL BASE SIDES.
 2. 6" MAX HEIGHT ON ALL STUB-UPS.
 3. SHOWN WITH 5 BURNER BRAHMA GRILL.
 4. SCALE: 5/16" = 1'-0"
 5. REVISION: 01/2015